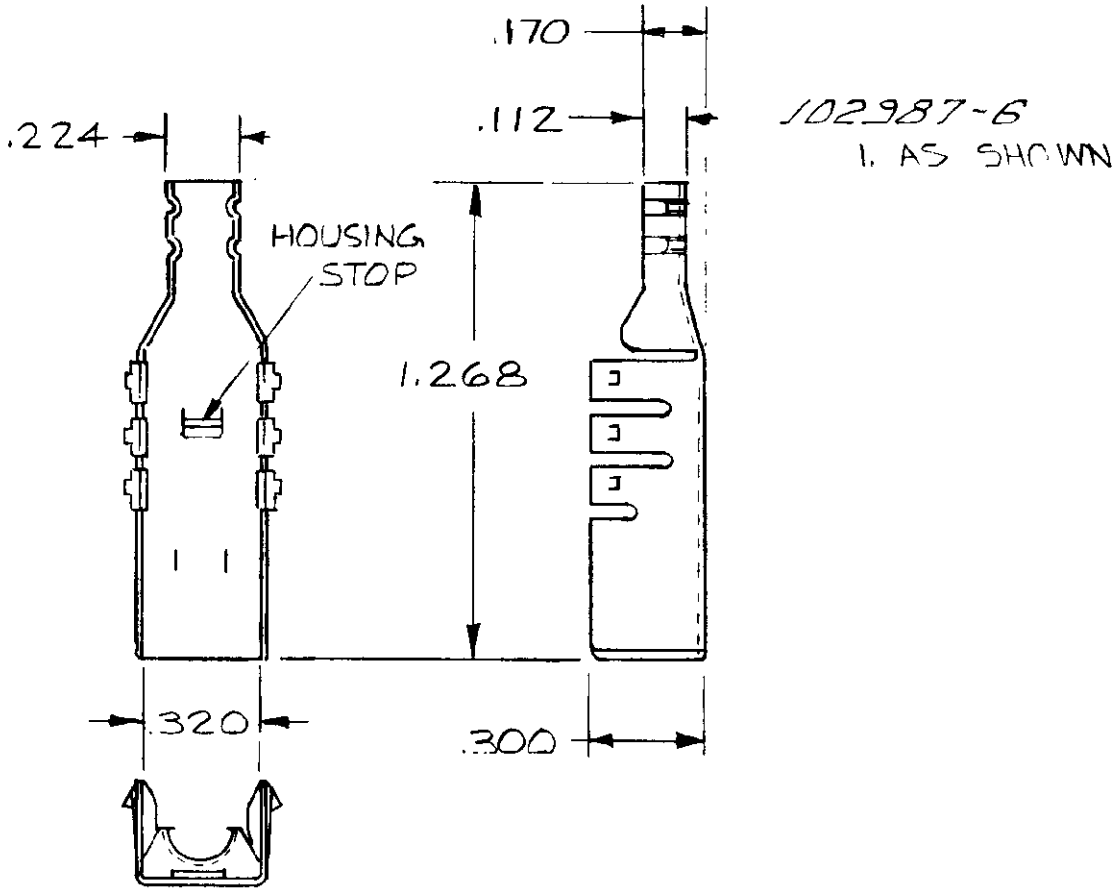


© COPYRIGHT 1982 BY AMP INCORPORATED, HARRISBURG, PA. ALL INTERNATIONAL RIGHTS RESERVED. AMP INCORPORATED PRODUCTS COVERED BY U.S. AND FOREIGN PATENTS AND /OR PATENTS PENDING.

REVISIONS			
LTR	DESCRIPTION	DATE	APPROVED
<i>A</i>	<i>REF. WAS 5035-10</i>	<i>11-21-89</i>	<i>JPG</i>
<i>A</i>	<i>REF LOC &amp; DIST AD-4171</i>	<i>11-21-89</i>	<i>BF</i>
<b>B</b>	<b>REV PER 0G3C-0449-00</b>	<b>30OCT00</b>	<b>JM</b>



PART NO

UNLESS OTHERWISE SPECIFIED DIMENSIONS ARE IN INCHES. TOLERANCES ON: DECIMALS ± .010 ANGLES ±

CONTRACT NO  
 DR. *2.0 inch 7-1-82*  
 CHG *J. Landis 7/20/82*



MATERIAL  
 COPPER ALLOY  
 .020 THK

APPD *J. Landis 7/20/82*  
 APPD *J. Landis 7/20/82*

NAME SHELL, INNER, 180° CABLE EXIT, AMPMODU MT  
 6 POSITION SHIELDED CONNECTOR

FINISH  
 PRE-TINNED  
 .000030 MIN.

DESIGN APPD  
 OTHER APPD

SIZE <b>A</b>	CODE IDENT NO <b>00779</b>	DRAWING NO <i>102987</i>
SCALE N.T.S.	SHEET <i>1 OF 1</i>	